

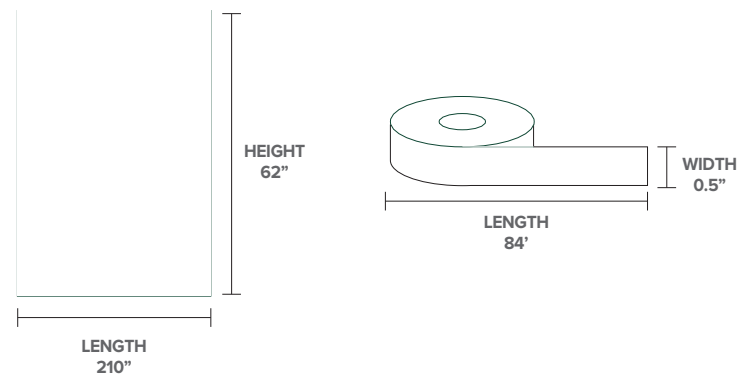
## Weatherization and Insulation - WINDOW INSULATION KIT - 5 WINDOWS

Window insulation kits provide a cost-effective solution for improving building energy efficiency. The shrink film and tape create an airtight seal, reducing drafts, condensation, and heat loss. This helps lower energy consumption and heating/cooling costs.

### PRODUCT SPECIFICATIONS

<b>Material</b>	Shrink Film
<b>Thickness</b>	0.75 mil
<b>Clarity</b>	Crystal Clear
<b>Durability</b>	Designed to last one heating season
<b>Application</b>	Window

### DETAILED DIMENSIONS



### FEATURES

- Economical energy-saving solution & easy to install
- Save up to 35% of heat loss
- Hot & cold air loss prevention
- Tailored size and easy installation
- Covers up to 5 standard-sized windows
- Shrinks tight for wrinkle-free, clear-as-glass results

### KIT INCLUDES

- 1 Plastic crystal-clear sheet
- 2-way tape

### TOOLS NEEDED

- Measuring tape
- Scissors
- Hair dryer

### MODEL INFORMATION

MODEL NUMBER	CASE QTY
WX/WI/5	24

1-877-255-0004 | [info@greenliteusa.com](mailto:info@greenliteusa.com)

[www.greenliteusa.com](http://www.greenliteusa.com)

V1 - 20250912

