

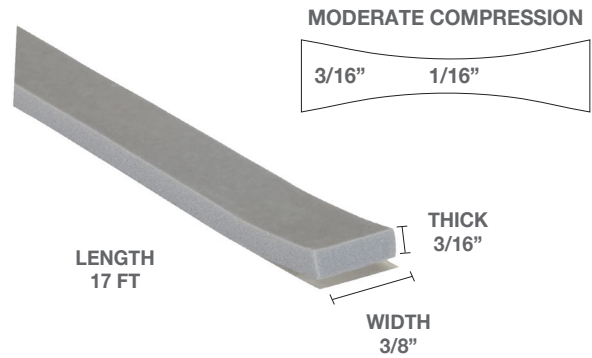
## WEATHERSTRIP FOAM TAPE

Increase energy efficiency and improve building performance with our easy-to-apply waterproof sealing tape. This closed-cell foam tape effectively seals gaps to block drafts, reduce noise, and prevent dust and pest infiltration.

### PRODUCT SPECIFICATIONS

<b>Material</b>	Pressure-sensitive acrylic adhesive
<b>Composition</b>	Closed-cell 100% PVC foam
<b>Application</b>	Self-stick
<b>Color</b>	Gray
<b>Warranty</b>	2 years

### DETAILED DIMENSIONS



### FEATURES



- Self-stick draft seal
- Energy-saving insulation for indoor & outdoor windows
- Easy to install, cut-to-size
- Waterproof, airtight, and dustproof closed-cell foam
- Peel-and-stick application

### MODEL INFORMATION

MODEL NUMBER	LENGTH	WIDTH	HEIGHT	CASE QTY
WS/WX/GREY	17'	0.375"	0.1875"	24/48

