

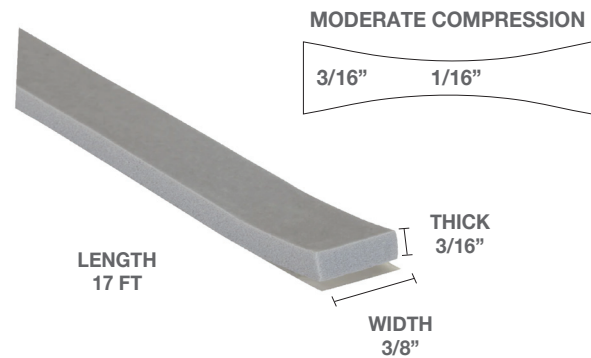
Weatherization and Insulation - WEATHERSTRIP FOAM TAPE

Increase energy efficiency and improve building performance with our easy-to-apply waterproof sealing tape. This closed-cell foam tape effectively seals gaps to block drafts, reduce noise, and prevent dust and pest infiltration.

PRODUCT SPECIFICATIONS

Material	Pressure-sensitive acrylic adhesive
Composition	Closed-cell 100% PVC foam
Application	Self-stick
Color	Gray
Warranty	2 years

DETAILED DIMENSIONS



FEATURES

- Self-stick draft seal
- Energy-saving insulation for indoor & outdoor windows
- Easy to install, cut-to-size
- Waterproof, airtight, and dustproof closed-cell foam
- Peel-and-stick application

MODEL INFORMATION

MODEL NUMBER	LENGTH	WIDTH	HEIGHT	CASE QTY
WS/WX/GREY	17'	0.375"	0.1875"	24/48

