

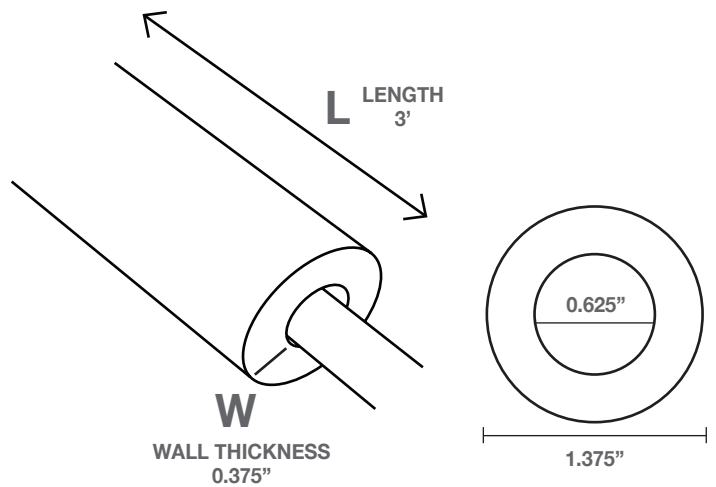
## Weatherization and Insulation - CLOSED-CELL POLYETHYLENE PIPE INSULATION

This easy-to-install solution improves thermal efficiency in both residential and commercial hot water pipes. By reducing heat loss, it can raise water temperature by 2°F-4°F, saving you energy and money. Plus, its flexible design and pre-slit feature make installation a breeze.

### PRODUCT SPECIFICATIONS

<b>Material</b>	Closed-cell polyethylene
<b>Color</b>	Charcoal
<b>R-Value</b>	≥ 3.3
<b>Density</b>	Low
<b>Temp. Range</b>	-90.4°F to 179°F (-68°C to 82°C)
<b>Flame Retardancy</b>	< 100mm/min
<b>R-Value</b>	≥ 3.3

### DETAILED DIMENSIONS



### FITS

- 0.50" Copper Pipe
- 0.375" PVC Pipe
- 0.375" Iron Pipe

### FEATURES

- Pre-slit for easy installation
- Best for indoor applications such as radiant heat
- Reduces heat loss and freezing
- Reduces condensation and plumbing noise



### MODEL INFORMATION

MODEL NUMBER	PACK SIZE	CASE QTY
WX/PI	4 TUBES @3'/EACH	24



1-877-255-0004 | [info@greenliteusa.com](mailto:info@greenliteusa.com)

[www.greenliteusa.com](http://www.greenliteusa.com)

V1 - 20250123

