

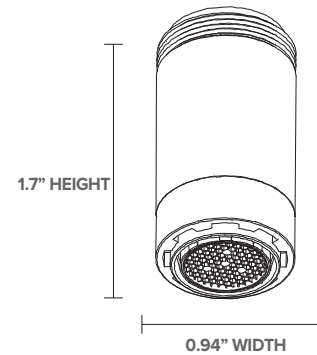
Water Conservation - COLOR-CHANGING BATHROOM & KITCHEN FAUCET AERATOR

LED faucet aerator with built-in temperature sensor engages consumers with a fun, color-changing water experience while promoting daily water use awareness, no batteries required.

PRODUCT SPECIFICATIONS

Operating Power	Hydraulic
LED Colors & Temperature Range	Blue: below 89.6°F Orange: 91.4°F - 107.6°F Red: 109.4°F - 123.8°F Flashing red: above 123.8°F
Flow Rate	1.5 gpm
Thread Type	Dual Thread Adapter
Material	ABS with chrome finish
Stream	Bubble
Warranty	1 year

DETAILED DIMENSIONS



FEATURES

- Color-changing LED for bathroom and kitchen faucets
- Powered by running water for safe, eco-friendly use
- High efficiency 1.5gpm flow helps reduce water waste
- Easy, tool-free installation

MODEL INFORMATION

MODEL	CASE QTY
WS/A/DUAL/LITE/1.5GPM	24

1-877-255-0004 | info@greenliteusa.com
www.greenliteusa.com

