

LED Fixtures - DUSK-TO-DAWN NITE LITE

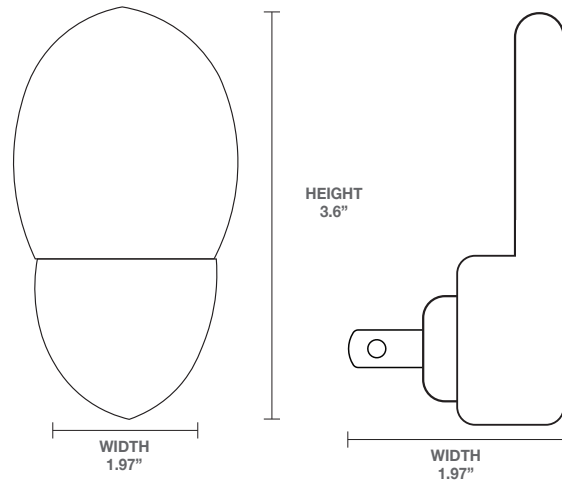
Automatic light-sensing technology for enhanced safety and convenience. Save energy and enjoy reliable illumination in hallways, stairwells, and more.



PRODUCT SPECIFICATIONS

Wattage	0.3W
Lumens	2LM
Lifetime	25,000 hours
Function	Dusk to Dawn
Color Temperature	3000K
UL Location Rating	Dry
Certifications	ETL/CETL, FCC
Warranty	2 years

DETAILED DIMENSIONS



FEATURES

- OFF in the day, ON at night
- Dusk-to-dawn sensor
- Added safety and security
- Cool-to-touch
- Shatterproof lens

MODEL INFORMATION

MODEL NUMBER	PACK SIZE	CASE QTY
NL/LB/DD	1	48
NL/LB/DD/2	2	48

1-877-255-0004 | info@greenliteusa.com

www.greenliteusa.com

V1-012325

