



PL LED GU24 BASE LAMP



General Safety Information (Please see the other side for Installation Instructions)

READ AND FOLLOW SAFETY INSTRUCTIONS
RISK OF SHOCK
DISCONNECT POWER BEFORE INSTALLATION

CAUTION:

RISK OF FIRE, IF LAMP OR LUMINAIRE EXHIBITS UNDESIRABLE OPERATION (BUZZING, FLICKERING, ETC.) IMMEDIATELY TURN OFF THE POWER, REMOVE LAMP FROM LUMINAIRE AND CONTACT GREENLITE. Not recommended to be used with photo controls, timers, 3-way sockets, motion control devices and emergency exits. Minimum starting temperature -4°F (-20°C).

THIS DEVICE IS NOT INTENDED FOR USE WITH EMERGENCY EXITS.
THIS DEVICE IS NOT INTENDED FOR USE WITH DIMMERS.
THIS DEVICE IS INTENDED TO BE USED IN DAMP LOCATIONS
THIS DEVICE IS INTENDED FOR USE IN TOTALLY ENCLOSED FIXTURES.

WARNING:

Risk of electric shock or fire. LED Retrofit Kit installation requires knowledge of luminaires electrical systems. If not qualified, do not attempt this installation. Product must be installed in accordance with the National Electrical Code or your local electrical code. If you are not familiar with these codes and requirements, contact a qualified electrician.

Install this LED Retrofit Kit only in luminaires that have the construction features and dimensions shown in the diagrams (on the other side) and where the input rating of LED Retrofit Kit does not exceed the input rating of the luminaire.

Do not alter or make any open holes in an enclosure of wiring or electrical components during LED Retrofit Kit installation.

To prevent wiring damage or abrasion, do not expose wiring to edges of sheet metal or any other sharp objects.

Luminaire wiring and electrical parts may be damaged when installing the LED Retrofit Kit hardware. Check that all luminaire wiring and components are enclosed.

Check the existing wiring for damage before installing LED Retrofit Kit. Do not install if existing wires are damaged.

Installers should not disconnect existing wires from lamp holder terminals to make new connections at lamp holder terminals. Installers should cut existing lamp holder leads away from the lamp holder and make new electrical connections to the lamp holder lead wire by employing applicable connectors.

Please see the other side for Installation Instructions

Installation Instructions (Please see the other side for General Safety Information)

- 1) Read all WARNINGS before continuing this section.
- 2) Ensure fixture is 120-227V.
- 3) Make sure POWER IS TURNED OFF AT THE SOURCE.
- 4) Remove lens if applicable, remove cover and lamp.
- 5) Before rewiring, check the ballast type and refer to relevant diagram below.
- 6) Before rewiring, please check the number of lamps per fixture and refer to the relevant diagram below.
- 7) If fixture is new without ballast, please refer to Diagram 1.
- 8) If fixture ballast type is electronic, please refer to Diagram 2.
- 9) If fixture ballast type is magnetic, please refer to Diagram 3.
- 10) This device is powered by two pins; Install lamp into the wired lampholder end.
- 11) Return power back to source and installation is now complete.

Diagram 1 – New fixture without ballast wiring

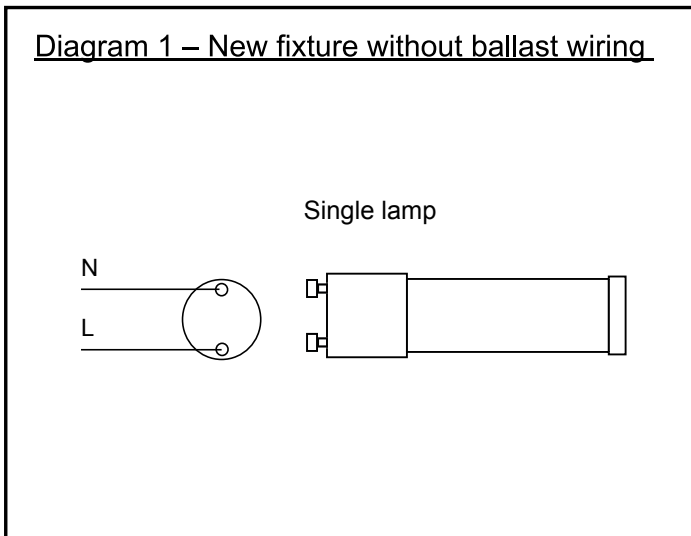


Diagram 2 – Electronic ballast fixture wiring modification

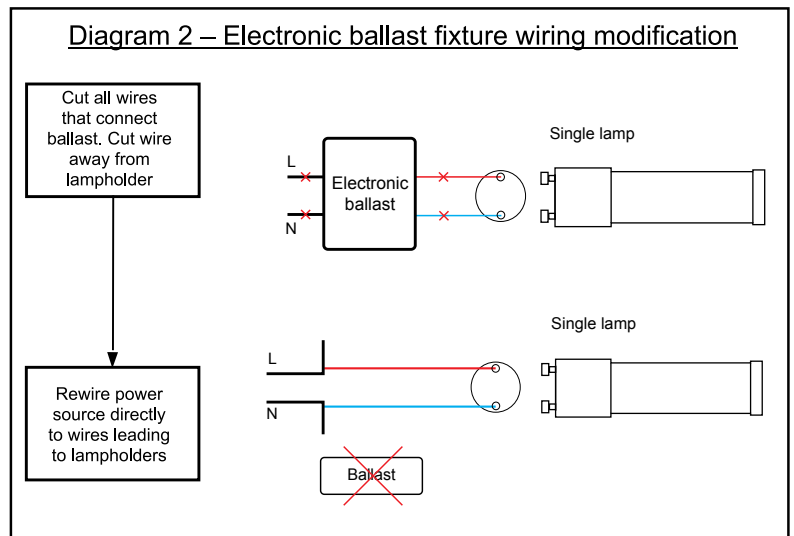
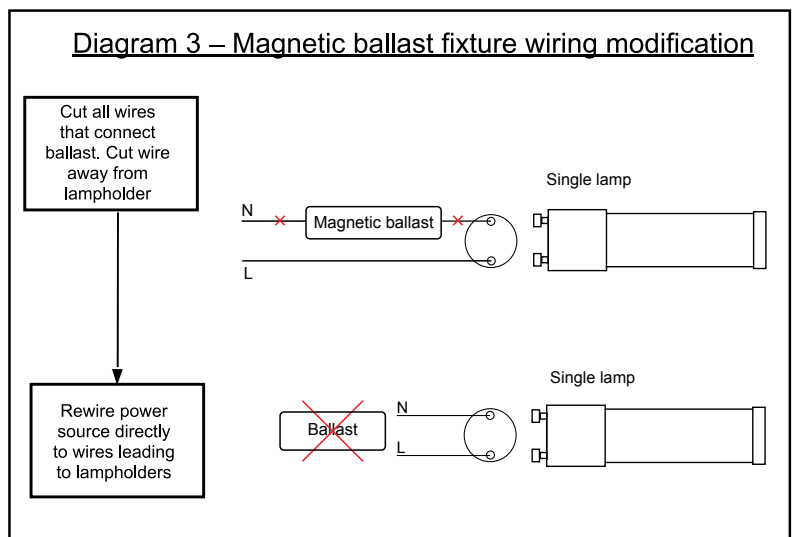


Diagram 3 – Magnetic ballast fixture wiring modification



LIMITED WARRANTY:

This product is warranted to be free from defects in workmanship and material for 5 years. If it fails to do so, Greenlite™ will send you, at its election, a replacement product or refund your original purchase price upon receipt of the returned product, register receipt and proof of purchase. Please visit www.greenliteusa.com to find out how to return the fixture. This limited warranty does not cover fixtures subject to accident, neglect, abuse, misuse or acts of God. Replacement or refund is your sole remedy.

For all enquiries, please contact our customer service team at:
info@greenliteusa.com or 1-877-255-0004 from 9:00 AM to 5:00 PM EST.

www.greenliteusa.com