

4 PIN PL LED G24Q Base Lamp

General Safety Information

NOTE: 4-pin PL LED G24Q Base can replace 13W, 18W, 26W, 32W and 42W CFL with G24Q bases. Compatible Ballast List on reverse side.

READ AND FOLLOW ALL SAFETY INSTRUCTIONS

DANGER - DISCONNECT POWER BEFORE INSTALLATION

CAUTION: RISK OF FIRE, IF LAMP OR LUMINAIRE EXHIBITS UNDESIRABLE OPERATION (BUZZING, FLICKERING, ETC.) IMMEDIATELY TURN OFF THE POWER, REMOVE LAMP FROM LUMINAIRE AND CONTACT THE MANUFACTURER. Not recommended to be used with photo controls, timers, 3 way sockets and motion control devices. Minimum starting temperature -4 °F (-20 °C).

WARNING - Risk of fire or electric shock. LED Retrofit Lamp Installation requires knowledge of luminaire electrical systems. If not qualified, do not attempt installation. Product must be installed in accordance with the National Electrical Code or your local electrical code. If you are not familiar with these codes and requirements, please contact a qualified electrician. Install this LED Retrofit Lamp only in luminaires that have the construction features and dimensions shown in the photographs and/or drawings and where the input rating of the Retrofit Lamp does not exceed the input rating of the luminaire. Do not make or alter any open holes in an enclosure of wiring or electrical components during installation. Check the existing wiring for damage before installing the LED Retrofit Lamp. Do not install if existing wires are damaged. To prevent wiring damage or abrasion, do not expose wiring to edges of sheet metal or any other sharp objects. Luminaire wiring and electrical parts may be damaged when installing of Retrofit Lamp hardware. Check for enclosed wiring and components. Do not disconnect existing wires from lamp holder terminals to make new connections at lamp holder terminals. Instead, cut the existing lamp holder and make new electrical connections to the lamp holder that lead wire by employing applicable connectors. "This luminaire has been modified and can no longer operate the originally intended lamp," shall be marked on the retrofit luminaire where readily visible by the user during normal maintenance including lamping.

THIS DEVICE IS NOT INTENDED FOR USE WITH EMERGENCY EXITS OR EMERGENCY EXIT LIGHTS.

THIS DEVICE IS NOT INTENDED FOR USE IN TOTALLY ENCLOSED FIXTURES.

THIS DEVICE IS NOT INTENDED FOR USE WITH DIMMERS.

THIS DEVICE IS INTENDED TO BE USED IN DRY AND DAMP LOCATIONS.

This product is intended to retrofit Type IC or non-IC recessed mount listed luminaires with instructions to remove the existing trim. The minimum dimensions of luminaires are tabulated below.

Luminaire overall dimensions, cm	Diameter	19.1
	Height	16.2
Maximum Lamps in Luminaire		2
Lamp-to-lamp Spacing, cm		5

Installation Instructions

NOTE: Ballast bypass instructions apply only to G24Q base lamps. Compatible Ballast List on reverse side.

1. Make sure the circuit breaker that supplies power to the Retrofit Lamp is turned off.
2. Remove trim, lens (if applicable) and existing lamp(s) from recessed fixture. Drop housing from plaster frame.
3. Remove inner junction box cover and disconnect ballast from input wiring and lamp holder leads. Dispose of removed ballast and lamps in accordance with government regulations in your area.
4. Connect input wiring to lamp holder leads according to the appropriate diagram below (Figure 1, 2). Place wires and connections back in wiring box and replace cover.
5. Reinstall housing and trim.
6. Install your new Greenlite™ LED PL Retrofit Lamp. Rotate lamps to desired position.
7. Apply re-lamping label on a visible location inside the fixture.
8. Turn power on at the breaker box and turn on the lights.

THIS LUMINAIRE HAS BEEN MODIFIED AND CAN NO LONGER OPERATE THE ORIGINALLY INTENDED LAMP.

Figure 1. Retrofit with One Lamp (G24Q Base)

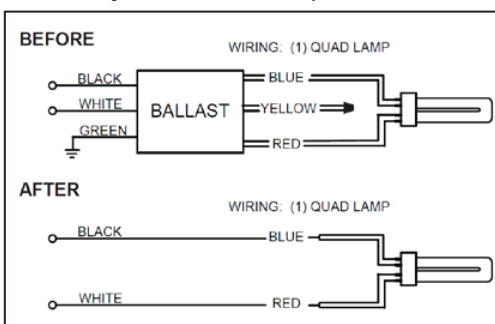
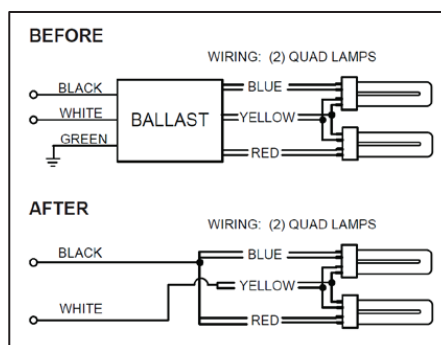


Figure 2. Retrofit with Two Lamps (G24Q Base)



LIMITED WARRANTY: This product is warranted to be free from defects in workmanship and material for 5 years. If it fails to do so, Greenlite™ will send you, at its election, a replacement product or refund your original purchase price upon receipt of the returned product, register receipt and proof of purchase. Please visit www.greenliteusa.com to find out how to return the fixture. Do not return this fixture to the retailer. This limited warranty does not cover fixtures subject to accident, neglect, abuse, misuse or acts of God. Replacement or refund is your sole remedy.



4 PIN PL LED G24Q Base Lamp

Compatible Ballast List

NO.	Brand	Model	Volt
1	LUMAPRO	16X954	120-277V
2	LUMAPRO	4KGJ7	120-277V
3	LUMAPRO	4KGJ8	120-277V
4	Triad	C213UNVME	120-277V
5	Triad	C218UNVME	120-277V
6	HOWARD INDUSTRIES	EP2/13CF/MV	120-277V
7	HOWARD INDUSTRIES	EP2/18CF/MV	120-277V
8	HOWARD INDUSTRIES	EP2/26CF/MV/2	120-277V
9	GE PROLINE	GEC226-MVPS-SE	120-277V
10	ADVANCE	ICF-2S13-H1-LD	120-277V
11	ADVANCE	ICF-2S18-H1-LD	120-277V
12	ADVANCE	ICF-2S18-M1-BS	120-277V
13	ADVANCE	ICF-2S26-H1-LD	120-277V
14	ADVANCE	ICF-2S42-M2-LD	120-277V
15	SYLVANIA	QTP1/2x13CF/UNV DM	120-277V
16	OSRAM	QTP1/2x18CF/UNV DM	120-277V
17	ROBERTSON	RSO126CQ120	120-277V
18	HATCH	HC226PS/UV/D	120-277V

Due to our continued efforts to improve our products, product specifications are subject to change without notice.

Remarks:

Manufacturer of LED Combo PL G24 Lamps has a limitation of compatibility, not compatible with ALL ballasts, they were tested for compatibility with the above listed electronic ballasts. Ballasts that do not appear on the chart might still be compatible but have not been tested. It is a general recommendation to perform a test on-site before installing the LED lamps.