

2 PIN PL LED GX23 Base Lamp

General Safety Information

NOTE: 2-pin PL LED GX23 Base can replace 7W and 9W CFL with GX23 bases.

READ AND FOLLOW ALL SAFETY INSTRUCTIONS

DANGER - DISCONNECT POWER BEFORE INSTALLATION

CAUTION: RISK OF FIRE, IF LAMP OR LUMINAIRE EXHIBITS UNDESIRABLE OPERATION (BUZZING, FLICKERING, ETC.) IMMEDIATELY TURN OFF THE POWER, REMOVE LAMP FROM LUMINAIRE AND CONTACT GREENLITE™. Not recommended to be used with photo controls, timers, 3 way sockets, motion control devices. Not for use in emergency exits or emergency exit lights. Do not use in dimmers. Minimum starting temperature -4° F (-20° C).

WARNING: - Risk of fire or electric shock. Installation requires knowledge of luminaire electrical systems. Product must be installed in accordance with the National Electrical Code or your local electrical code. If you are not familiar with these codes and requirements, please contact a qualified electrician. Install this LED Retrofit Lamp only in luminaires that have the construction features and dimensions shown in the photographs and/or drawings and where the input rating of the Led Retrofit Lamp does not exceed the input rating of the luminaire. Do not make or alter any open holes in an enclosure of wiring or electrical components during installation. Check the existing wiring for damage before installing the LED Retrofit Lamp. Do not install if the existing wires are damaged. To prevent wiring damage or abrasion, do not expose wiring to edges of sheet metal or any other sharp objects. Luminaire wiring and electrical parts may be damaged when installing of LED Retrofit Lamp hardware. Check that all luminaire wiring and components are enclosed. Do not disconnect existing wires from lamp holder terminals to make new connections at lamp holder terminals. Instead, cut the existing lamp holder and make new electrical connections to the lamp holder that lead wire by employing applicable connectors. "This luminaire has been modified and can no longer operate the originally intended lamp," is marked on the retrofit luminaire where readily visible by the user during normal maintenance including lamping.

THIS DEVICE MAY NOT BE COMPATIBLE WITH SOME OLDER BALLAST VERSIONS.

THIS DEVICE IS NOT INTENDED FOR USE WITH EMERGENCY EXITS OR EMERGENCY EXIT LIGHTS.

THIS DEVICE IS NOT INTENDED FOR USE WITH DIMMERS.

THIS DEVICE IS INTENDED TO BE USED IN DRY AND DAMP LOCATIONS.

This product is intended to retrofit Type IC or non-IC recessed mount listed luminaires with instructions to remove the existing trim. The minimum dimensions of luminaires are tabulated below.

Luminaire Overall Dimensions, cm	Diameter	19.1
	Height	16.2
Maximum Lamps in Luminaire		2
Lamp-to-lamp Spacing, cm		5

Installation Instructions

NOTE: Ballast bypass instructions apply only to GX23 base lamps.

1. Make sure the circuit breaker that supplies power to the LED Retrofit Lamp is turned off.
2. Remove trim, lens (if applicable) and existing lamp(s) from recessed fixture. Drop housing from plaster frame.
3. Remove inner junction box cover and disconnect ballast from input wiring and lamp holder leads. Dispose of removed ballast and lamps in accordance with government regulations in your area.
4. Connect input wiring to lamp holder leads according to the appropriate diagram below (Figure 1, 2). Place wires and connections back in wiring box and replace cover.
5. Reinstall housing and trim.
6. Install your new Greenlite™ LED PL Retrofit Lamp. Rotate lamps to desired position.
7. Apply re-lamping label on a visible location inside the fixture.
8. Turn power on at the breaker box and turn on the lights.

THIS LUMINAIRE HAS BEEN MODIFIED AND CAN NO LONGER OPERATE THE ORIGINALLY INTENDED LAMP.

Figure 1. Retrofit with One Lamp (GX23 Base)

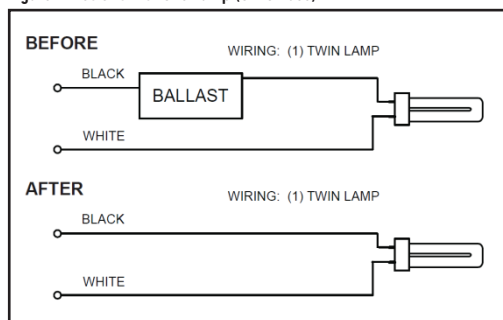
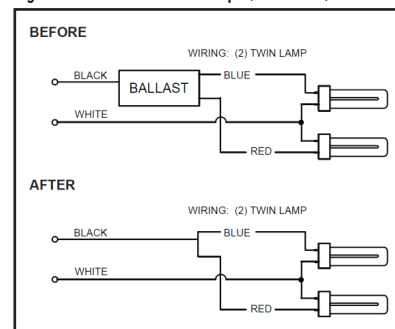


Figure 2. Retrofit with Two Lamps (GX23 Base)



LIMITED WARRANTY: This product is warranted to be free from defects in workmanship and material for 5 years. If it fails to do so, Greenlite™ will send you, at its election, a Replacement product or refund your original purchase price upon receipt of the returned product, register receipt and proof of purchase. Please visit www.greenliteusa.com to find out how to return the fixture. Do not return this fixture to the retailer. This limited warranty does not cover fixtures subject to accident, neglect, abuse, misuse or acts of God. Replacement or refund is your sole remedy.