



# LED 12W G24D BASE 26W PL REPLACEMENT



This PL lamp has an adjustable base that can be rotated to 180° to fit any socket configuration. After it is installed, easily rotate the lamp to adjust the maximum light output.

- Hybrid Installation, Direct or Bypass
- Magnetic Ballast Compatible
- 2-Pin G24D Base
- UL approved for Damp Locations
- 5 Year Warranty

180° Adjustable Base	 Horizontal Mounted	 Shatterproof	 Damp Location	 Bypass
 G24D Base	 Vertical Mounted	 50,000 HRS	 Instant On	 Magnetic Ballast Compatible



## Installation Instructions with Direct Ballast:

Figure 1. Retrofit with One Lamp (G24D Base)

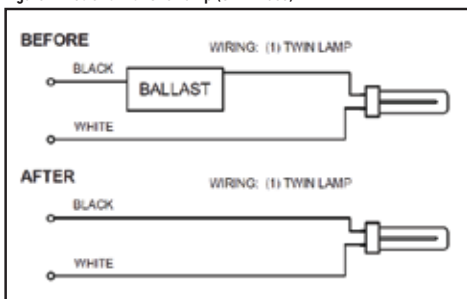
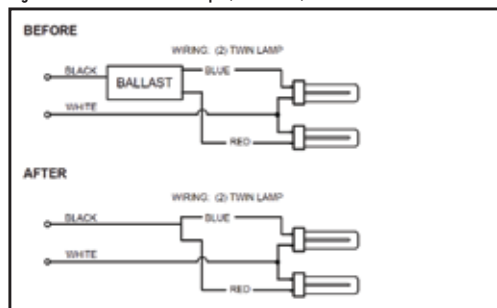


Figure 2. Retrofit with Two Lamps (G24D Base)





# LED 12W G24D BASE 26W PL REPLACEMENT

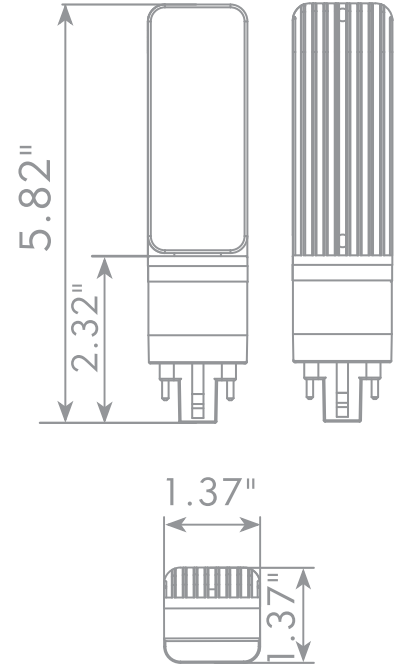
## Commercial



## Hospitality



## Retail



SPECIFICATIONS	40151 12W/LED/PLC/G24D/35K	40164 12W/LED/PLC/G24D/40K
Type	LED PL REPLACEMENT	LED PL REPLACEMENT
Mount	Horizontal /Vertical	Horizontal / Vertical
Base	G24D	G24D
Wattage	12W	12W
CFL Equivalence	26W	26W
Voltage - Frequency	120V	120V
Color Temperature (ANSI)	Bright White 3500K	Cool White 4000K
Lumens	1200	1200
Efficacy (LPW)	100	100
CRI	80	80
Beam Angle	140°	140°
Dimmable	NO	NO
Rated Lifetime (hrs.)	50,000	50,000
Dia. x MOL	1.37" x 5.82"	1.37" x 5.82"
Warranty	5 Years	5 Years