



LED 12W G24Q BASE 26W PL REPLACEMENT



PUCK LIGHT



- Easy to install - Plug & Play Direct
- Electronic Ballast Compatible
- Dims Only if Used with a Dimmable Ballast
- 4-Pin G24Q Base
- Available in 3500K, 4000K, 5000K
- UL approved for Damp Locations
- 5 Year Warranty
- Compact Sizes for Hard to Reach Applications

 Vertical Mount	 Shatterproof	 Damp Location	 plug & play Direct
 G24Q Base	 50,000 HRS	 Instant On	 Electronic Ballast Compatible



Installation Instructions with Direct Ballast:

Figure 1: Retrofit with One Lamp (G24Q Base)

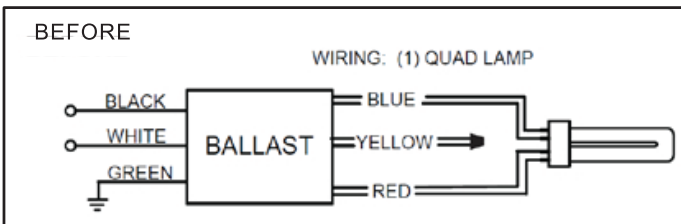
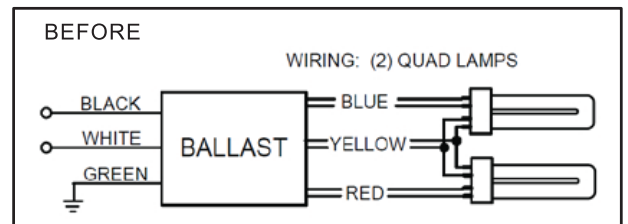


Figure 2: Retrofit with Two Lamps (G24Q Base)





LED

12W G24Q BASE 26W PL REPLACEMENT

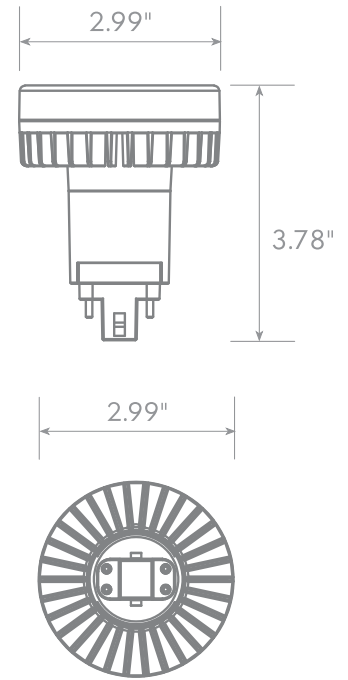
Commercial



Hospitality



Retail



SPECIFICATIONS	40117 12W/LED/PLC/BCV/G24Q/35K	40118 12W/LED/PLC/BCV/G24Q/40K	40119 12W/LED/PLC/BCV/G24Q/50K
Type	4 PIN LED PL REPLACEMENT	4 PIN LED PL REPLACEMENT	4 PIN LED PL REPLACEMENT
Mount	Vertical	Vertical	Vertical
Base	G24Q - BALLAST COMPATIBLE ONLY	G24Q - BALLAST COMPATIBLE ONLY	G24Q - BALLAST COMPATIBLE ONLY
Wattage	12W	12W	12W
CFL Equivalence	26W	26W	26W
Voltage - Frequency	120V	120V	120V
Color Temperature (ANSI)	Bright White 3500K	Cool White 4000K	Daylight 5000K
Lumens	1100	1100	1100
Efficacy (LPW)	91	91	91
CRI	80	80	80
Beam Angle	140°	140°	140°
Dimmable	NO (Yes with a Dimmable Ballast)	NO (Yes with a Dimmable Ballast)	NO (Yes with a Dimmable Ballast)
Rated Lifetime (hrs.)	50,000	50,000	50,000
Dia. x MOL	2.99" x 3.78"	2.99" x 3.78"	2.99" x 3.78"
Warranty	5 Years	5 Years	5 Years



greenlite™

Electronic Compatible Ballast List

√ - Compatible
* - Not Compatible

4 PIN PL LED G24Q BASE 12W/LED/PLC/BCV/G24Q/35K / 12W/LED/PLC/BCV/G24Q/40K / 12W/LED/PLC/BCV/G24Q/50K

Ballast Description			Compatibility Test Result			
Electrical Characteristic			1-Lamp		2-Lamp	
Brand	Model	Volt	120 VAC	277 VAC	120 VAC	277 VAC
LUMA PRO	16X954	120-277V	√	×	√	√
LUMA PRO	4KGJ7	120-277V	√	√	√	√
LUMA PRO	4KGJ8	120-277V	√	√	√	√
LUMA PRO	16X959	120-277V	×	×	√	√
Universal/Triad	C213UNVME	120-277V	√	√	√	√
Universal/Triad	C218UNVME	120-277V	√	√	√	√
Universal/Triad	C242UNVME	120-277V	√	×	√	√
Universal/Triad	C2642UNVME	120-277V	√	√	√	√
HOWARD INDUSTRIES	EP2/13CF/MV	120-277V	√	√	√	√
HOWARD INDUSTRIES	EP2/18CF/MV	120-277V	√	√	√	√
HOWARD INDUSTRIES	EP/2/26CF/MV/2	120-277V	√	√	√	√
GE	GEC218MVPSBES	120-277V	√	√	√	√
PHILIPS/ADVANCE	ICF-2S18-H1-LD	120-277V	√	√	√	√
PHILIPS/ADVANCE	ICF-2S26-H1-LD	120-277V	√	√	√	√
PHILIPS/ADVANCE	ICF-2S42-M2-LD	120-277V	√	×	√	√
PHILIPS/ADVANCE	ICF-2S13-H1-LD	120-277V	√	√	√	√
ORSRAM/SYLVANIA	QTP1/2X18CF/UNVDM	120-277V	√	√	√	√
ORSRAM/SYLVANIA	QTP2X26CF/UNVDM	120-277V	√	√	√	√
ORSRAM/SYLVANIA	QTP1/2X13CF/UNVDM	120-277V	√	√	√	√
HATCH	HC226PS/UV/D	120-277V	√	√	√	√
CH	ACT2S26PSUNV	120-277V	√	√	√	√
STANDARD	31279STD	120-347V	√	√	√	√
STANDARD	31527STD	120-347V	×	√	×	√
KEYSTONE	KTEB-213-UV-PS-DW	120-277V	√	√	√	√
KEYSTONE	KTEB-218-UV-PS-DW	120-277V	√	√	√	√
KEYSTONE	KTEB-226-UV-PS-DW	120-277V	√	√	√	√
KEYSTONE	KTEB-218-UV-RS-DW	120-277V	√	√	√	√
FULHAM	RHAUNV226C	120-277V	×	×	√	√
FULHAM	WH2120L	120-277V	√	×	√	×
FULHAM	WH2120C	120-277V	√	×	√	×
FULHAM	RHAUNV213C	120-277V	×	×	√	√
FULHAM	RHA-UNV-218-C	120-277V	×	×	√	√
FULHAM	WH3-120-C	120-277V	√	×	√	×
FULHAM	WH3-277-L	120-277V	×	√	×	√
FULHAM	WH4-277-L	120-277V	×	√	×	√
FULHAM	RHA-UNV-242-C	120-277V	×	×	√	√

Due to our continued efforts to improve our products, product specifications are subject to change without notice.

WARNING: Manufacturer of LED PL G24Q Lamps have a limitation of compatibility, not compatible with ALL ballasts, they were tested for compatibility with the above listed electronic ballasts. DO NOT INSTALL LAMPS WITH BALLASTS NOT ON THIS LIST UNTIL COMPATIBILITY IS CONFIRMED WITH OUR TECHNICAL TEAM. Some older ballast versions can cause over heating and damage to lamp and fixture. For Ballasts that do not appear on the list or in case of doubt about compatibility, please contact us at 1-877-255-0004.

*GREENLITE has provided this ballast compatibility chart for your guidance when selecting a ballast and lamp combination. Lamps were tested for compatibility with the above electronic ballasts. Ballasts that do not appear on the chart may still be compatible but have not been tested. Testing has been performed with a stable main supply. The quality of the main, existing installation and wiring, as well as different manufacturer versions of the above ballasts may affect lamp performance. Since no assurance can be provided regarding these factors, it is recommended that you to perform an on-site test prior to installing the LED lamps. Warranty will not be applicable if product is not used as per the GREENLITE Compatible Ballast List.

www.greenliteusa.com V2 051217